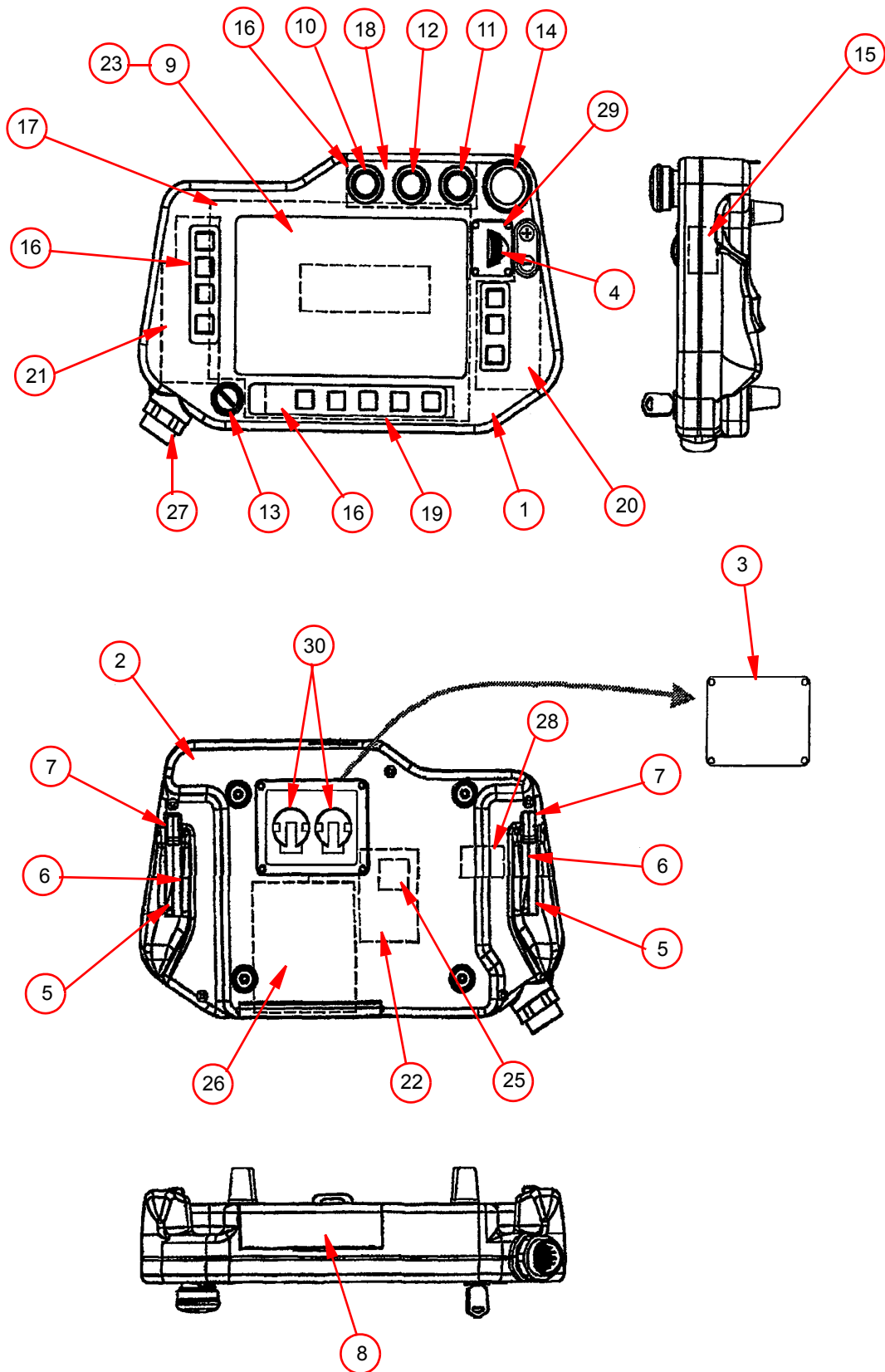


## 2.3 Layout drawing of teach pendant



## 2. 4 Teach pendant: Parts list

<Class> A: Consumable parts, rather short replacement cycle.  
 B: Assemblies and parts that are fervently in motion.  
 C: Important assemblies.  
 D: Parts rather long replacement cycle.

ŽY	Part name	Part number	Q'ty	Remarks	Class
-	Teach pendant	AUR01047	-		D
1	Upper case	AKC21002	1		D
2	Lower case	AKC21003	1		D
3	Battery cover	AKC31004	1		D
4	Jog dial	AKC31006	1		D
5	Lever 1	AKC31002	2		B
6	Lever 2	AKC31003	2		B
7	Trigger	AKC31009	2		B
8	Cover	AKC31005	1		D
9	LCD cover	AKK32004	1		B
10	Push-button switch	A165LTGYMMA1	1		B
11	Push-button switch	A165LTGYMMA2	1		B
12	Push-button switch	A165LTWMMMA3	1		B
13	Key switch	A165KT2M2	1	With key (YAW20)	B
14	Emergency stop switch	A165ES02	1		B
15	Encoder	RE21BARE185	1		B
16	Key sheet	AKP32003	1	3 kinds a set	B
17	TPCPU card (*)	ZUEP5712	1	Old type (*1)	C
		ZUEP5769	1	New type (*2)	C
18	TPUP card	ZUEP5716	1		C
19	TPLOW card	ZUEP5717	1		C
20	TPRIGHT card	ZUEP5718	1		C
21	TPLEFT card	ZUEP5719	1		C
22	SH card(*)	SCE8700C02	1	Old type (*1)	D
		ZUEP5766	1	New type (*2)	D
23	LCD	EDTCB23QAF	1		C
24	Inverter	CXAL0612AVJL	1		D
25	Compact flash(*)	SDCFB32-101	1	Old type (*1)	B
		CF1-032MRR	1	New type (*2)	B
26	PCMCIA connector	62236-22PR0	1		D
27	TP panel cable	AWC32694	1		B
28	Flat cable	QCNM1493ACZZ	1		D
29	Jog cover	AKC31007	1		D
30	Battery	CR2450	2	TOSHIBA	A

(\*): As for TPCPU card, SH card and compact flash, either old type (\*1) or new type (\*2) as a set are applied

### < Cautions when replacing old type SH card with new type >

Due to production stoppage, SH card; SCE8700C02 (product of EPSON) (old type), new card SHCPU card;